

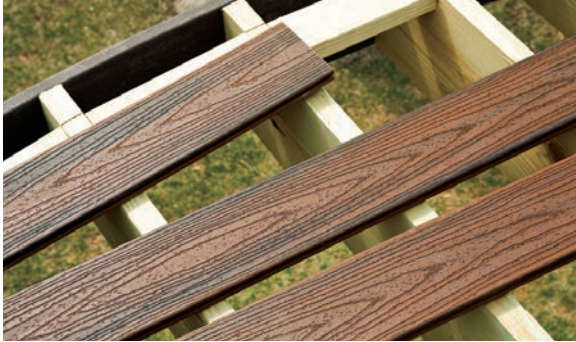


# 2022 AUSTRALIAN DECKING INSTALLATION GUIDE



## INSTALLATION TIPS

Capturing that exotic beauty when installing a Trex Transcend® deck in tropical colors is as easy as mixing and matching.



To start your deck design, mix and match all tropical boards on the jobsite.



Start lining them up, putting dark against light, as a practice run to help visualize the final look. You'll see that the variety of color board by board develops its own rich, random pattern full of lights and darks.



Continue mixing and matching boards to ensure an appealing mix of light and dark tones across the entire deck.

## QUICK REFERENCE GUIDE

### Mix and Match Colors/Color Variation

When installing any Trex decking product, especially Trex Transcend Tropicals, it is a good idea to mix and match all the boards on the job site prior to installation to ensure an appealing mix of light and dark tones.

### Installation Temperatures

Please be sure to follow the temperature suggestions at installation to allow for the expansion and contraction of Trex WPC boards.

### Cutting Ends of Boards

It's required that ends of Trex decking boards be cut to ensure a good square cut prior to installation. *Refer to page 14 for additional information.*

### Spanning Requirements

Trex decking requires different joist spanning requirements based on load applications or deck orientation. *Refer to page 9 for additional information.*

### Gapping Requirements

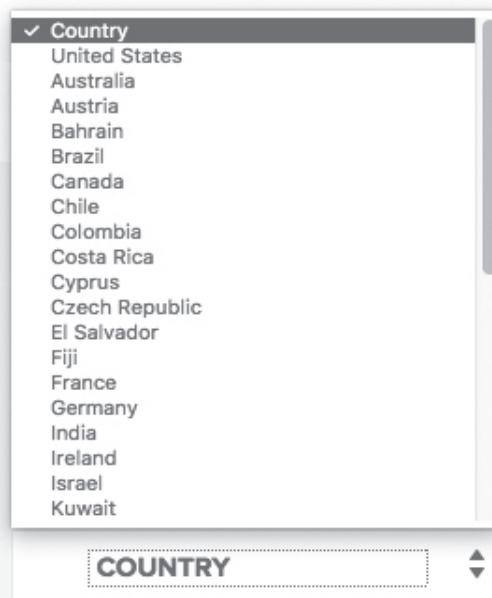
Trex decking requires product to be gapped at installation to ensure proper spacing for expansion and contraction. *Refer to pages 9 -10 for additional information.*

### Special Requirements When Using Trex Hideaway® at Abutted Deck Boards

When using the Trex Universal Hidden Fasteners or Trex Elevations® Hidden Fasteners where the ends of two deck boards meet (abutted ends), it is critical to use these fasteners in the proper way. *Refer to page 8 for additional information.*


## NEED HELP?

Trex provides a variety of valuable resources to answer your questions or concerns such as locating warranty information. For additional assistance, check out:

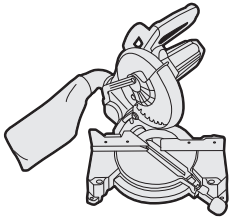


### MORE

- [Contact Us](#)
- [Connect](#)
- [Live chat: offline](#)
- [Site Map](#)
- [Privacy Policy](#)
- [Terms Of Use](#)
- [FAQs](#)

 This symbol indicates text continues to next page.

## TOOLS NEEDED



Mitre saw blade  
(254 mm—305 mm,  
40 teeth or more)



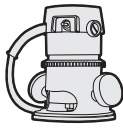
Standard power drill



Trex groove  
router bit



Carbide-tipped  
blades



Trex groove cutter

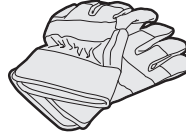
## SAFETY



Long sleeves



Safety glasses



Gloves



Dust mask

- For approved AU spans, refer to <https://au.trex.com/trex-owners/downloads/> and view detailed span tables provided by SOTO Engineering located under Evaluation Service Reports.

## PLANNING AHEAD

### Trex Decking:

- » When installing any Trex decking product, especially Trex Transcend Tropicals, it is a good idea to mix and match all of the boards on the job site prior to installation to ensure an appealing mix of light and dark tones. See inside cover for more details.
- » For added protection to wood framing, use Trex® Protect® Joist and Beam Tape on the top of joists, rim joists, and ledger boards to help prevent rot and wood decay. Refer to [trexprotect.com](http://trexprotect.com) for more details.

### Trex Railing:

- » Trex Signature® railings are made to be installed at maximum 1.83 m or 2.44 m CLEAR SPAN BETWEEN POSTS.
- » Determine post locations prior to installing any decking. In most cases, posts are usually installed before decking is installed.
- » For post placement on stairs, it is VERY IMPORANT to plan your post spacing based on the length of the rail and angle of the stairs. For nominal 1.83 m and 2.44 m stair rail lengths, stair post spans (measured horizontally) will be less than 1.83 m or 2.44 m due to the angle of the stairs.
- » Grill/Bar-B-Q placement: A good recommendation to help prevent damage to your railing is to not have a Grill/Bar-B-Q too close to your railing. Allow for ample airspace 450mm - 760mm is recommended - refer to Grill/Bar-B-Q manufacturer for additional details between the back/sides of your Grill/Bar-B-Q to help prevent charring or staining to the railing.

See individual instructions included with Trex Railing Products PRIOR to installing Trex decking.

### Trex Lighting:

- » Plan locations of lights, power supply, timer, and dimmer. These should be accessible for service if necessary.
- » Install wiring before decking and railing have been installed.
- » **DO NOT** run wires between joists and deck boards.

See individual instructions included with Trex Lighting PRIOR to installing Trex decking or railing products.

### Installing Hot Tubs, Planters, and Seating:

- » Plan ahead proper joist spanning if required. (This is especially important if installing a hot tub.)

### Installing Fireplaces and/or Fire Pits With Trex Decking:

- » Determine if fire will be gas or timber burning. (**Note:** Most fire pits shown in Trex images are gas burning.)



- » For gas, the fire pit is installed by cutting around the Trex decking. **It is not to be installed on top of Trex decking.** A fire-resistant material is installed under the fire pit and a protective "wall" made from stone or other fire-resistant material is installed to hold fire pit in place and also protect the decking from heat.
- » For timber, fire pits are not recommended on top of Trex decking unless using a non-flammable and heat-protective barrier between the decking and the fire pit. Timber-burning fire pits can damage the decking due to extreme heat from the bottom of the fire pit and/or burning embers "shooting" onto the decking.

# TREX TRANSCEND® DECKING CARE AND CLEANING GUIDE

All exterior building materials require cleaning. Generally, soap and water is all that is required to clean Transcend decking products. For additional information, see table below.

PROBLEM	SOLUTION
Dirt and Debris	The affected area should be sprayed off with a hose to remove surface debris. Use warm soapy water and a soft bristle brush to remove dirt and debris from the embossing pattern.
Using a Pressure Washer (General Cleaning Issues)	A pressure washer with <b>no greater</b> than 3100 PSI that has a fan attachment/adjustment and soap dispenser may be used to remove dirt, concrete dust, or other types of construction dirt. Spray deck with soap, then follow by gently scrubbing each deck board with a soft bristle brush. Spray/rinse each individual deck board using a fan tip no closer than 200 mm from the decking surface. <b>RINSE THOROUGHLY.</b> If dirty water from cleaning is left to dry, a film will remain on the decking surface.
Issues with Concrete, Cement, Mortar, or Stucco Dust	When working with cement, concrete, mortar, or stucco, protect the decking as much as possible in order to not get dust particles on the decking surface. These particles, once they get hot or wet, can cause a reaction on the decking surface and are very difficult to remove. If particles get on the decking surface, Trex recommends using Sakrete™ Concrete Dissolver ( <a href="http://www.sakrete.com/products/concrete-dissolver">www.sakrete.com/products/concrete-dissolver</a> ). BE SURE TO FOLLOW MANUFACTURER'S INSTRUCTIONS.
Hard Water Staining	Hard water is water with high amounts of mineral deposits like lime, silica and calcium. When the water dries, deposits are left behind, leaving unsightly spots on surfaces. This is not a defect of Trex products but an issue with the water itself. Generally, these deposits can be cleaned with white vinegar on decking surfaces. Rinsing is required, so care should be taken to not use hard water for this purpose. If hard water must be used, dry with a cloth or use a blower to dry surfaces. In some cases a deck brightener product may also be used to help clean hard water stains.
Chalk Lines	Most colored chalks are permanent and may discolor the surface. Use only Irwin Strait-Line® Dust-Off Marking Chalk (purple), available at <a href="http://www.irwin.com">www.irwin.com</a> .
Tannins Due to Debris	Remove all debris from the deck using a hose or broom. Once the deck surface is dry, apply a deck "brightener"* to the deck as directed by the manufacturer. Deck Brighteners contain oxalic acid, which will also remove tannins.
Ice and Snow	A plastic shovel may be used to remove snow from the deck. Use calcium chloride or rock salt to melt the snow and ice from the deck surface.
Oil, Grease, and Food	All food spills should be removed as soon as possible. <b>The surface must be cleaned within seven days to maintain the stain warranty.</b> To remove, spray off with a hose and use warm, soapy water and a soft bristle brush to remove spills from the embossing pattern.
Mold and Mildew	If debris such as pollen and dirt is allowed to remain on the deck surface, mold can feed on the biofilm. Using a hose and warm, soapy water with a soft bristle brush is recommended to remove the food source and mold.

*NOTE: Construction methods are always improving. Please refer to [www.trex.com](http://www.trex.com) for the most up-to-date installation requirements.*

# TREX TRANSCEND® DECKING CARE AND CLEANING GUIDE

PROBLEM	SOLUTION
<p><b>Trex and Static Electricity</b></p>	<p>While this is not common, static electricity can occur on walking surfaces in dry climates or in areas where dry winds and dust-borne particles lay on the decking surfaces. Static electricity can build up on occupants walking across any composite decking surface, including Trex, then produce a small static shock if they touch a grounded metal surface such as railing, door, etc.</p> <p>This condition can be decreased greatly with the use of a product call ACL Staticide®. Two products tested were General Purpose Staticide® and Heavy Duty Staticide®. Both are effective in greatly reducing static electricity on Trex decking surfaces. Apply full strength using a mop on a dry decking surface, and allow to dry; no rinsing or diluting needed. Products are non-toxic, non-flammable, non-staining (will not change the color of decking surface), completely biodegradable and safe to use. Product is water-based and may require a second application after rain or other weather conditions. Over a period of time, the effect of static will dissipate naturally on the decking surface.</p> <p>See link for more information on product:  <a href="https://www.aclstaticide.com/categories/anti-static-coatings">https://www.aclstaticide.com/categories/anti-static-coatings</a></p>
<p><b>Rubber Mats</b></p>	<p>Use caution when using rubber-backed mats (i.e. welcome mats, etc.) as these may contain substances that can sometimes discolor or lighten the decking surface.</p>
<p><b>Job Site Storage</b></p>	<p>Store decking on a flat level surface and ALWAYS use proper supports (dunnage). <b>DO NOT</b> store directly on the ground. When stacking decking bundles, supports (dunnage) should start approximately 200 mm from each end and be spaced approximately 600 mm on center. In addition, supports (dunnage) should line up vertically/perpendicular to the decking product. Adjust support blocks (dunnage) accordingly if bundles are loose. For Transcend decking the maximum height is 14 bundles. <b>(IMPORTANT TO NOTE THAT PROPER DUNNAGE SPACING MUST BE IN PLACE FOR THESE HEIGHTS)</b>. When stacking multiple bundles, ensure that dunnage lines up vertically down through each stack. ALWAYS cover decking products on site until ready to be installed.</p>

*Strait-Line® is a registered trademark of Irwin Industrial Tool Company.*

*Sakrete™ is a trademark of Oldcastle APG, a CRH Company.*

*ACL Staticide® is a registered trademark of ACL Incorporated.*

*\*Use of products containing bleach or acid can lighten the surface of Trex. Use in an inconspicuous area to determine whether you like the effect. Neither product will affect the structural integrity of Trex.*

*\*\*Use of a pressure washer greater than 3100 PSI could damage the boards and void the warranty.*

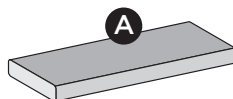
**NOTE: Construction methods are always improving. Please refer to [www.trex.com](http://www.trex.com) for the most up-to-date installation requirements.**

# TREX DECKING, FASCIA, AND FASTENING SYSTEMS

**NOTE:** Check with local distributor for product availability in your area.

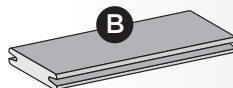
## 25 mm Square-Edge Board

Actual Dimensions:  
140 mm x 25 mm x 5.48 m  
4.8m and 6.1m lengths - special order



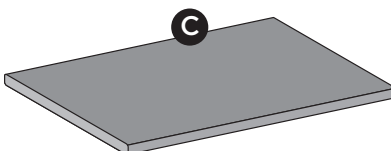
## 25 mm Grooved-Edge Board

Actual Dimensions:  
140 mm x 25 mm x 5.48 m  
4.8m and 6.1m lengths - special order



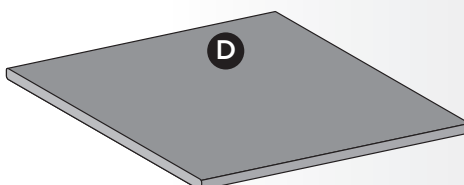
## 14 x 184 mm Fascia

Actual Dimensions:  
184 mm x 14 mm x 3.65m



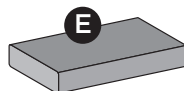
## 14 x 288 mm Fascia (special order only)

Actual Dimensions:  
288 mm x 14 mm x 3.65 m



## 33 mm Square-Edge Board

Actual Dimensions:  
140 mm x 33 mm x 4.88 m



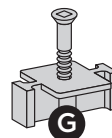
## Trex Universal Start Clip/Elevations Start Clip

Black-coated Stainless Steel (steel grade 302SS)



## Trex Elevations Universal Hidden Fastener (for use with Steel Substructure)

Glass-filled Nylon (steel grade 410SS)

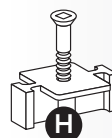


## Trex Universal Hidden Fastener (for use with Timber Substructure) or

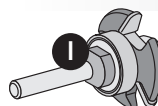
Glass-filled Nylon (steel grade 302SS)

## Trex Universal Hidden Fastener (for use with Aluminum Substructure)

Glass-filled Nylon (steel grade 300 series)



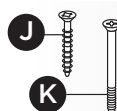
## Router Bit



## Fascia and Deck Screws (Supplied by Distributor)

Supplied by installer

Refer to next page for recommended decking and fascia fasteners.  
All plug based screws require the use of the manufacturers approved depth setting tool.



Images shown here do not reflect plug based fasteners

## SPANNING REQUIREMENTS

For approved AU spans, refer to <https://au.trex.com/trex-owners/downloads/> and view detailed span tables provided by SOTO Engineering located under Evaluation Service Reports.

## RECOMMENDED FASTENERS

COMPATIBLE FASTENER MATERIALS FOR USE WITH TREX			
Substrate Material	Carbon Steel w/ 1000 hr. Corrosion-Resistant Coating	Stainless Steel: 410 Series or 1.4003/1.4006	Stainless Steel: 300 Series or 1.4301/1.4401/1.4567
Exterior Grade Natural or Treated Wood	Yes***	Yes	Yes**
Plastic or Fiberglass Composites	Yes	Yes	Yes
Aluminum	No	No	Yes
Steel	No	Yes*	Yes#

\*Trex Elevations Universal Hidden Fastener are approved

\*\*Trex Universal Hidden Fasteners are approved

\*Trex Universal Hidden Fasteners for Aluminum Framing are approved

\*\*\*See Trex recommended fasteners for listing of approved decking screws

This guide is for recommended use of fasteners for use with Trex decking. Not all sub-structure materials fall under these categories. In the case of any unique substrate composition of materials, or proprietary composites, consult the substrate manufacturer for recommendations of applicable fasteners.

		Transcend <sup>®</sup>
RECOMMENDED FASTENERS	<b>DECKING-HIDDEN FASTENERS</b>	
	Trex Hideaway <sup>®</sup> Universal Hidden Fastener/Trex Elevations Universal Hidden Fastener	X
	FastenMaster <sup>®</sup> TrapEase 3 Ultimate Composite Deck Screw	X
	Cortex <sup>®</sup> Concealed Fasteners	X
	Starborn <sup>®</sup> Pro Plug <sup>®</sup> System for PVC & Composite (Epoxy Coated & Stainless (2" are approved for sleeper & roof top applications only)	X
	KlevaKlip <sup>™</sup> Snap-LOC Clip	X
		Transcend <sup>®</sup>
RECOMMENDED FASTENERS	<b>FASCIA*</b>	
	Starborn <sup>®</sup> Deckfast <sup>®</sup> Fascia System – Epoxy Coated* and Headcote <sup>®</sup> Stainless	X
	SplitStop <sup>™</sup> Fascia Screws (uses SplitStop <sup>™</sup> Fascia Bit)	X
	Cortex <sup>®</sup> Hidden Fastening System for Fascia	X

Refer to [au.trex.com](http://au.trex.com), under the Literature/Technical Information for additional recommended fasteners.

*Fascia system screws listed above can only be used with composite fascia profiles, and cannot be used with standard thickness decking boards used as fascia. Use stainless steel screws near water applications.*

**If any condition occurs which is attributable to the use of non-recommended fasteners, such condition shall not be covered under Trex's Limited Warranty.**

*FastenMaster<sup>®</sup>, TrapEase<sup>®</sup> 3, and Cortex<sup>®</sup> are registered trademarks of OMG, Inc.*

*DeckFast<sup>®</sup> Fascia System screws are registered trademarks of Starborn Industries Inc.*

*SplitStop<sup>™</sup> fascia screws are a registered trademark of Titan Metal Werks, Inc.*

**Trex recommends the use of two screws per joist.**

**All recommended screws are designed to be installed flush with decking surface, DO NOT countersink screws.**

**Use recommended stainless steel screws in any areas near bodies of saltwater.**

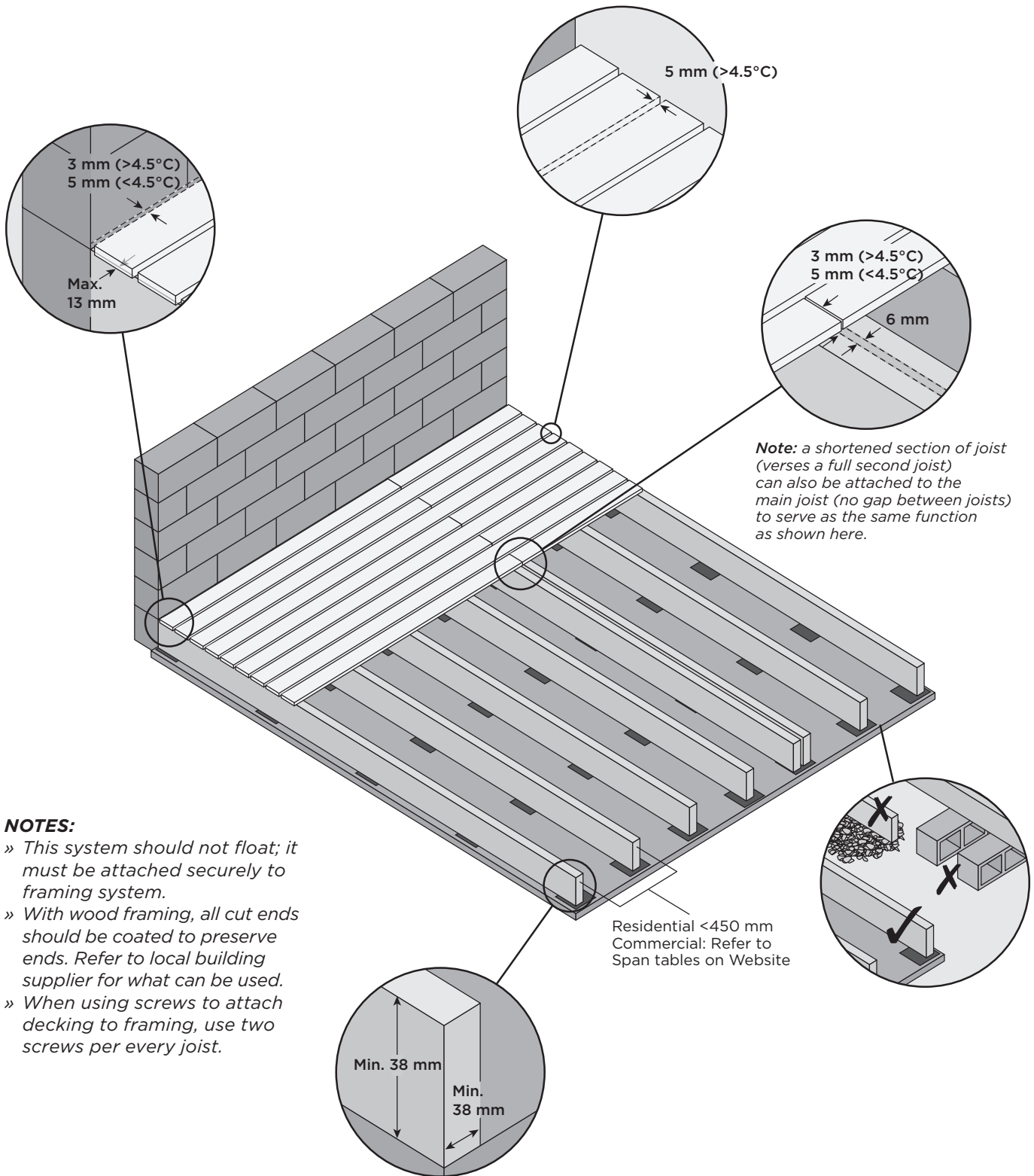
### BUSHFIRE SAFETY REGULATIONS

Trex Transcend decking is compliant with bushfire safety regulations for BAL-19 and BAL-29 zones. Refer to <https://au.trex.com/trex-owners/downloads> and view Trex technical bulletin titled BAL Testing Results under Technical Information, for certain requirements in order to meet these regulations. Please also consult your local council or State building codes for your particular geographical requirements.

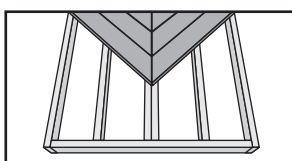
**NOTE: Construction methods are always improving. Please refer to [www.trex.com](http://www.trex.com) for the most up-to-date installation requirements.**



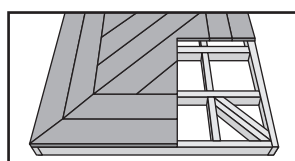
# PRESSURE-TREATED FRAMING REQUIREMENTS, GAPPING AND BUTT JOISTS



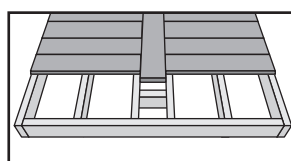
## FRAMING TO SUPPORT PATTERNS



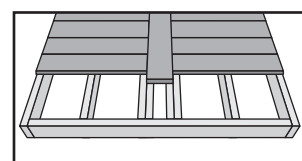
Herringbone Pattern



Picture Frame Pattern

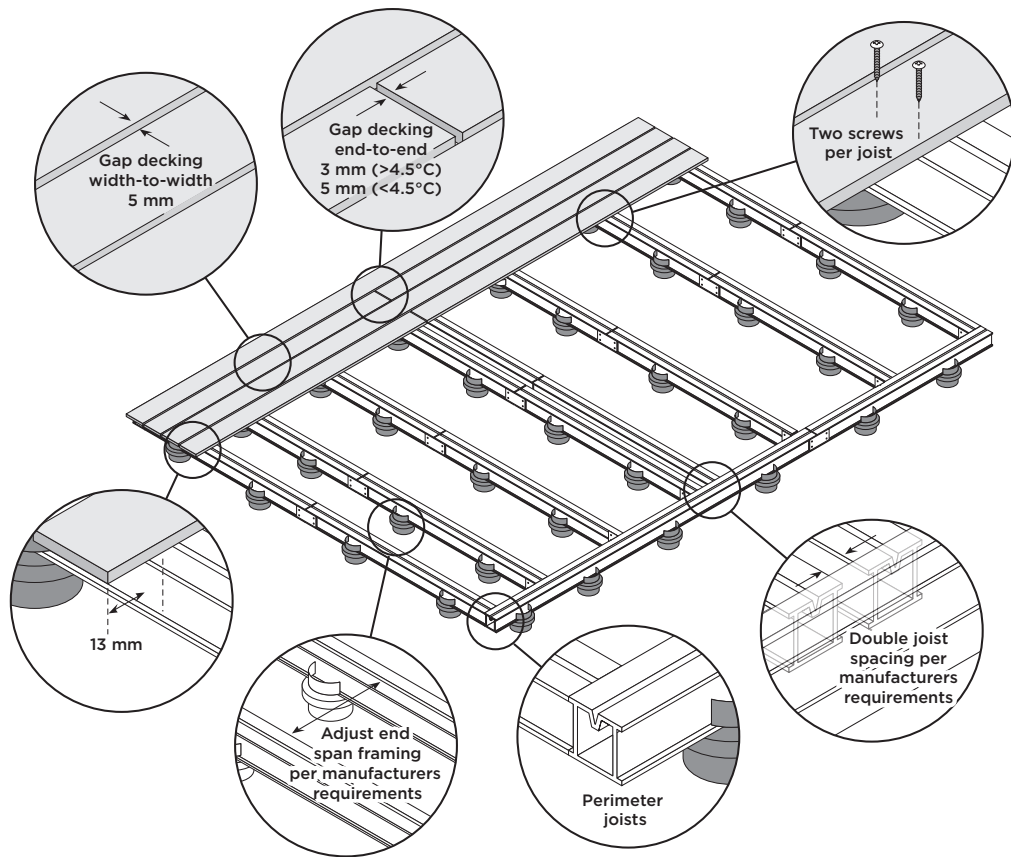


Breaker Board  
Single Joist



Breaker Board  
Double Joist

# METAL FRAMING REQUIREMENTS AND GAPPING



## COMPATIBLE FASTENER MATERIALS FOR USE WITH TREX

Substrate Material	Carbon Steel w/ 1000 hr. Corrosion Resistant Coating	Stainless Steel: 410 Series or 1.4003/1.4006	Stainless Steel: 300 Series or 1.4301/1.4401/1.4567
Exterior Grade Natural or Treated Wood	Yes***	Yes	Yes**
Plastic or Fiberglass Composites	Yes	Yes	Yes
Aluminum	No	No	Yes
Steel	No	Yes*	Yes <sup>†</sup>

\*Trex Elevations Universal Hidden Fastener are approved

\*\*Trex Universal Hidden Fasteners are approved

†Trex Universal Hidden Fasteners for Aluminum Framing are approved

\*\*\*See Trex recommended fasteners for listing of approved decking screws

This guide is for recommended use of fasteners for use with Trex decking. Not all sub-structure materials fall under these categories. In the case of any unique substrate composition of materials, or proprietary composites, consult the substrate manufacturer for recommendations of applicable fasteners.

### NOTES:

- » Gapping rules are required when installing Trex decking.
- » When using an aluminum framing system or other type of metal for sleeper systems, follow manufacturer's instructions for proper installation.
- » Depending on loading requirements and/or if installing Trex decking on an angle, framing spacing may need to be adjusted. **See page 8 for Trex requirements.**
- » Depending on type of structure being used, different types of fasteners must be used for attachment. Refer to the chart at right for compatible fasteners based on substrate material being used.
- » When using screws to attach decking to framing, use two screws per every joist.

### TREX AND STATIC ELECTRICITY

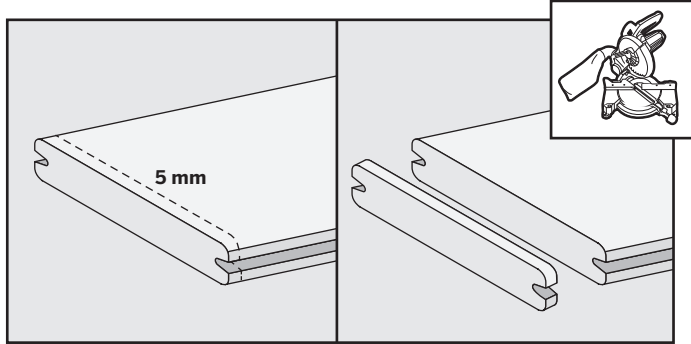
While this is not common, static electricity can occur on walking surfaces in dry climates or in areas where dry winds and dust-borne particles lay on the decking surfaces. Static electricity can build up on occupants walking across any composite decking surface, including Trex, then produce a small static shock if they touch a grounded metal surface such as a railing, door, etc.

This condition can be decreased greatly with the use of a product call ACL Staticide®. Two products tested were General Purpose Staticide® and Heavy Duty Staticide®. Both are effective in greatly reducing static electricity on Trex decking surfaces. Apply full strength, using a mop on a dry decking surface, and allow to dry. No rinsing, no diluting needed. Products are non-toxic, non-flammable, non-staining (will not change the colour of decking surface), completely biodegradable and safe to use. Product is water based and may require a second application after rain or other weather conditions. Over a period of time, the effect of static will dissipate naturally on the decking surface.

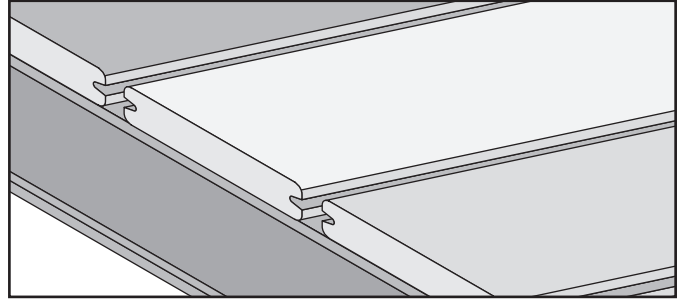
See link for more information on product: [http://www.aclstaticide.com/antistatic\\_coatings.html](http://www.aclstaticide.com/antistatic_coatings.html).

# INSTALLING TREX DECKING

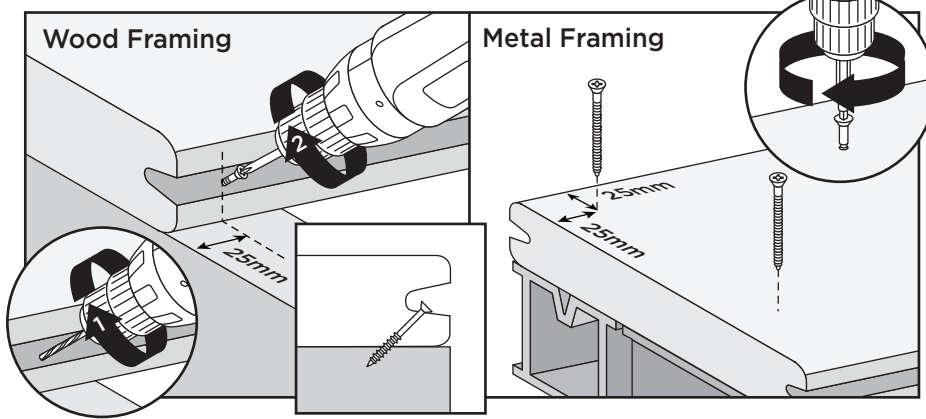
**IMPORTANT:** You **MUST** clean cut boards on both ends (min. 5 mm).



To ensure an appealing mix of colour tones, mix and match all boards prior to installation. (See inside cover for additional details.)



## Installation Tips for Large Temperature Shifts within 24-hour Period



For wood framing, and if using Trex Universal Hidden Fasteners, pre-drill and toenail an approved screw at an angle in groove at both ends 25mm from board end and center of each board.

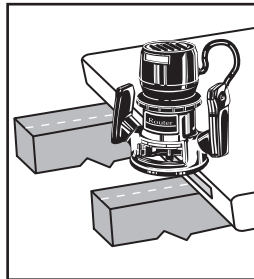
For metal framing, use two approved decking screws at board ends.

## Routing Square Edge Boards for Trex Hideaway Hidden Fasteners

**NOTE:** All Trex square edge profiles can be routed.

Using a Trex router bit with standard router:

1. Rout from bottom side of board.
2. Rout the entire length of the board, or at every intersection where board is over support joists.



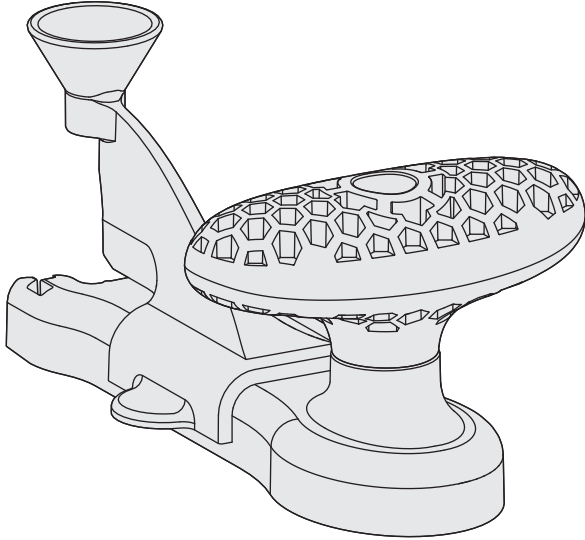
**NOTE:** Construction methods are always improving. Please refer to [www.trex.com](http://www.trex.com) for the most up-to-date installation requirements.

# TREX HIDEAWAY®

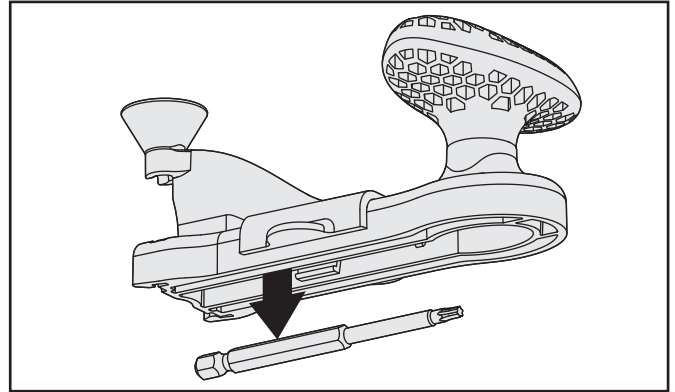
## One-Step Hidden Fastener Tool Instructions

The Hideaway® One-Step Installation Tool increases installation speed by allowing you to install the fastener in one easy step. With this tool you can fully actuate the fastener and still install your next deck board, converting what's normally a two-step process into a one-step installation process.

### One-Step Hidden Fastener Tool

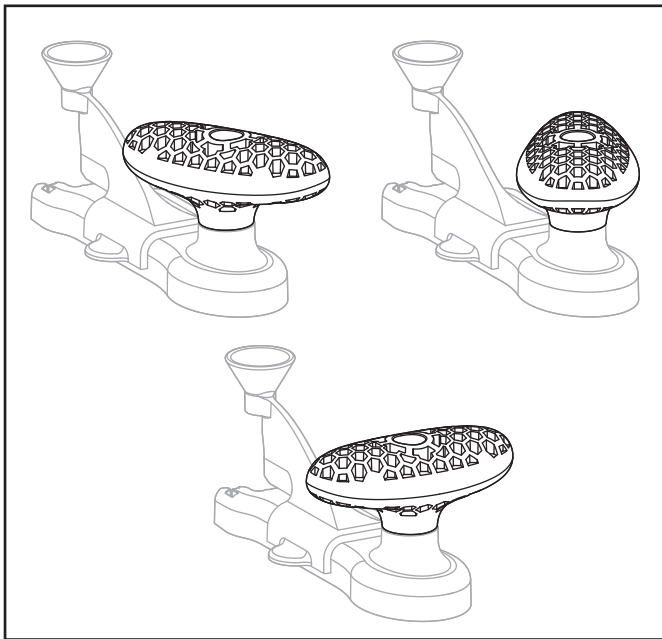


### One-Step Hidden Fastener Tool Bit

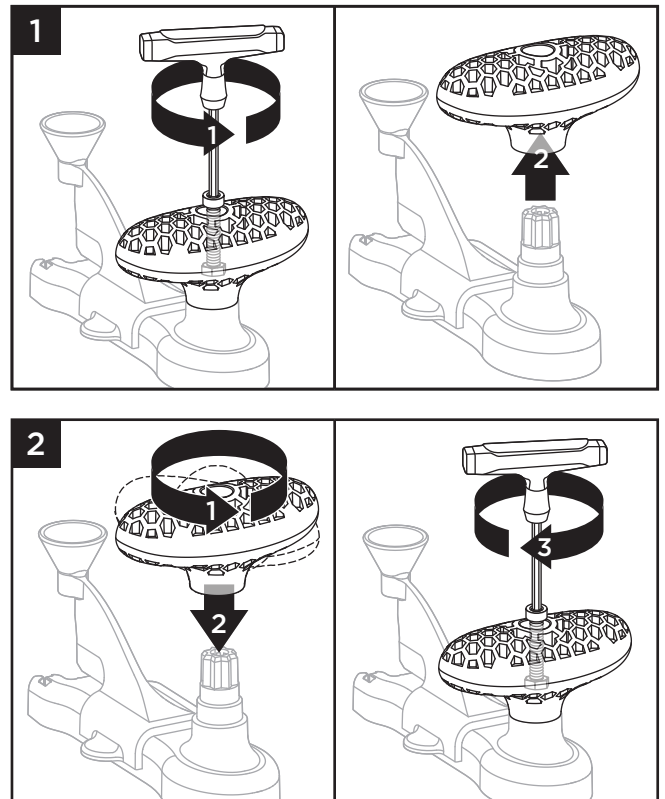


The bit supplied with the Trex Universal Fasteners and the One Step Tool are the same bit, and both are compatible with the tool. Turned down T10 bits from other manufacturers will also work, but please ensure the turned down portion (the narrow nose) is at least 1-1/2" long. Using an inappropriate bit will not allow fasteners to seat correctly and could damage the tool. Bit is conveniently located on the underside of the one-step tool. For replacement Trex® bits please visit [Shop.Trex.com](http://Shop.Trex.com).

### Handle Adjustment



Handle is adjustable and can be loosened and rotated using a 3/16" hex tool to a comfortable position for the user.



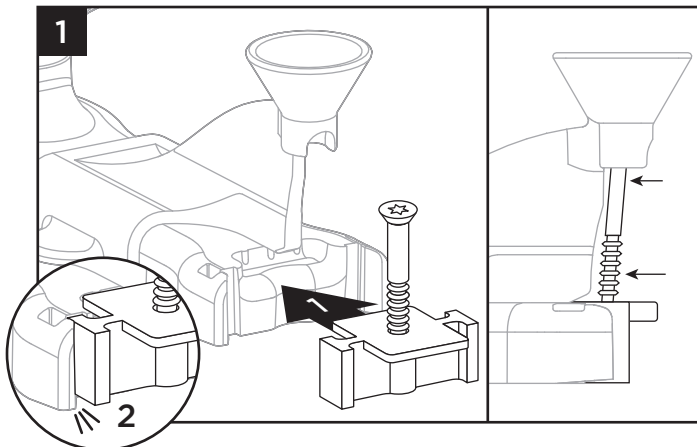
**NOTE:** Construction methods are always improving. Please refer to [www.trex.com](http://www.trex.com) for the most up-to-date installation requirements.

# TREX HIDEAWAY®

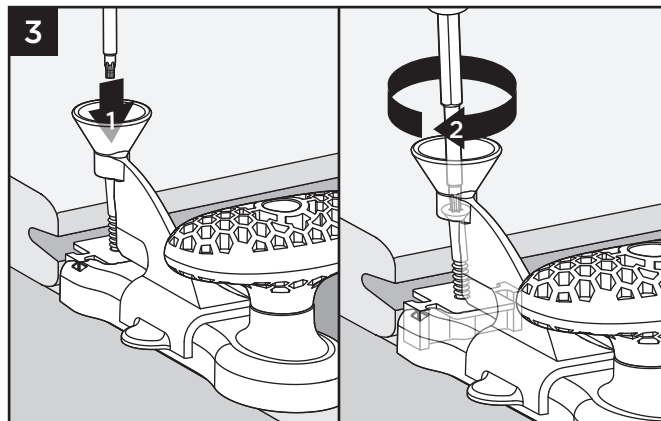
## One-Step Hidden Fastener Tool Instructions/CONTINUED

**NOTE:** See instructions included with Trex Hideaway Universal Hidden Fasteners for general rules including clean cutting board ends, gapping rules, abutted board rules and installation of angled deck boards, as well as start clip instructions, steps to take for large temperature shifts and installation of last deck board.

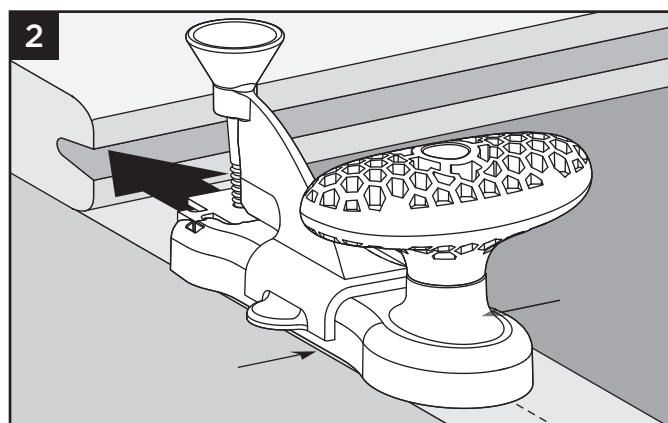
### Installation Instructions



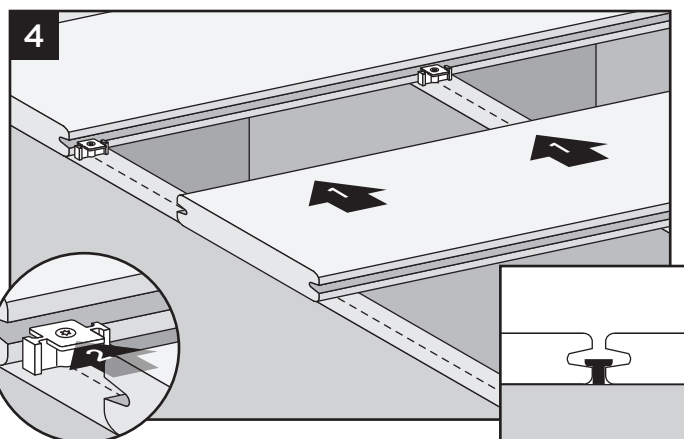
1. Place Hideaway hidden fastener into one-step tool. There will be a slight click when fastener is engaged properly. Screw will also be slightly at an angle when engaged in one-step tool properly.



3. Using bit included with one-step tool, install screw as shown. Screw should be slightly countersunk into fastener when installed correctly. Continue to install fasteners on every joist. **Do Not Overdrive Screw.**



2. Center one-step tool (with fastener included) on joist and push into groove of board.

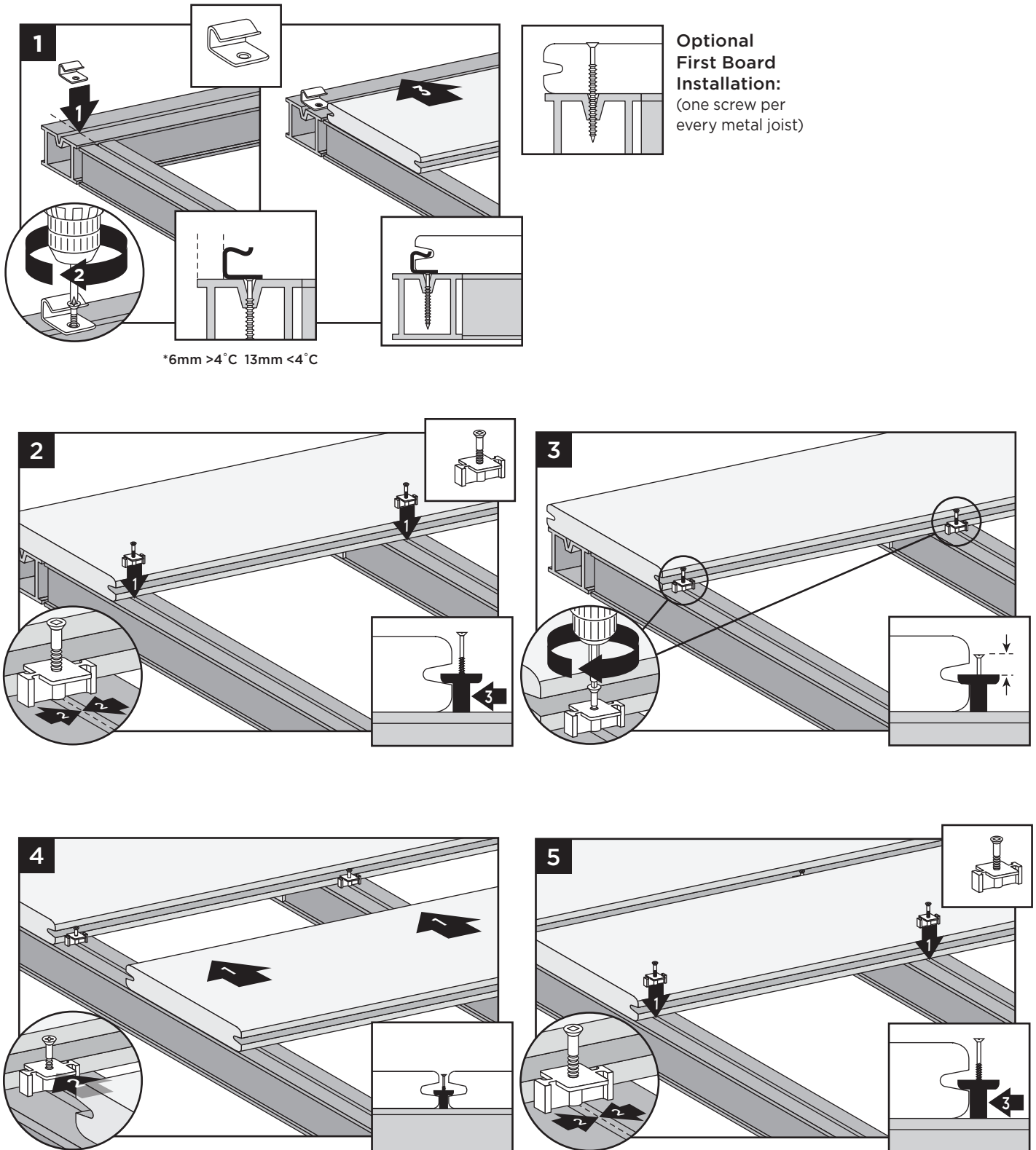


4. Install next board against installed hidden fasteners. Some slight force (using a rubber mallet) to seat next board against fasteners may be required.

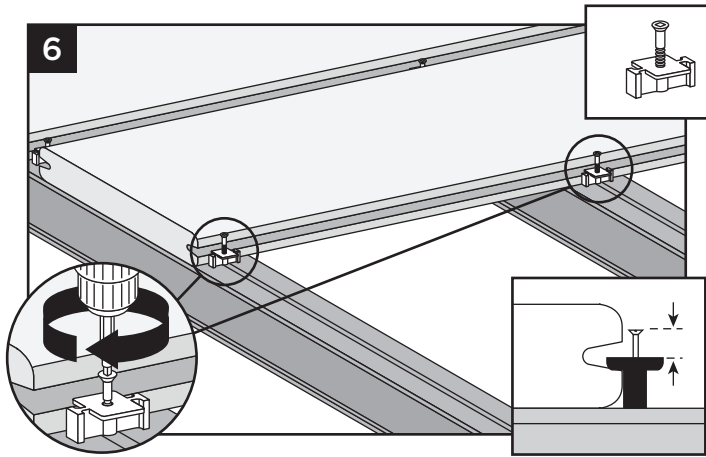
**NOTE:** Signs of overtightening would be the tool getting stuck and unable to remove properly and/or signs that the shaft of the bit is damaging the conical screw guide.

# Installing Trex Transcend®, Enhance®, Select® Decking

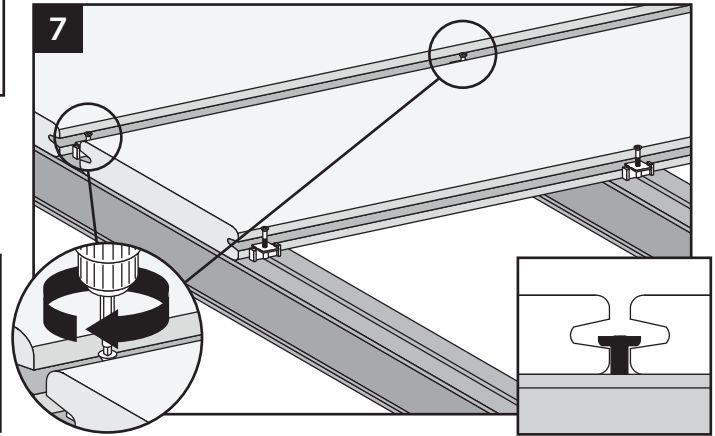
*NOTE: These instructions should be followed when NOT using the One-Step Tool.*



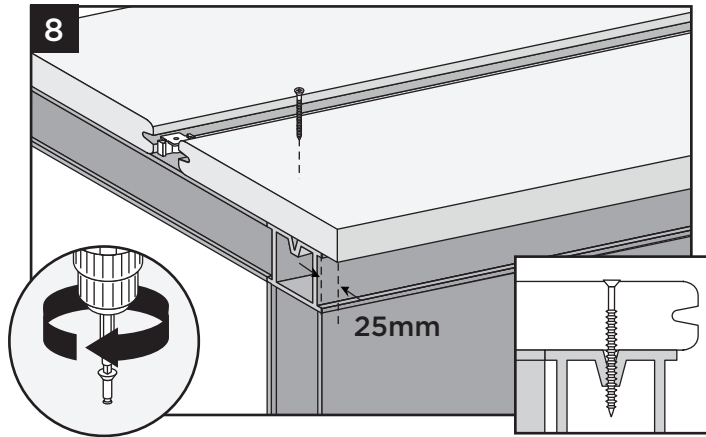
## INSTALLING TREX DECKING/CONTINUED



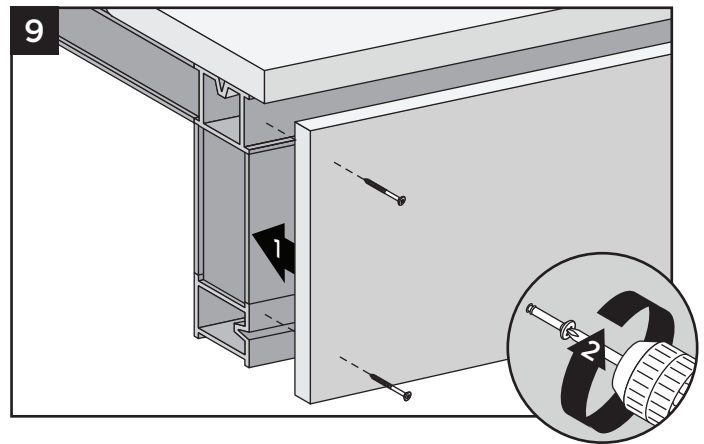
Installing Last Deck Board  
(Square-Edge Board Recommended)



Optional Fascia Installation

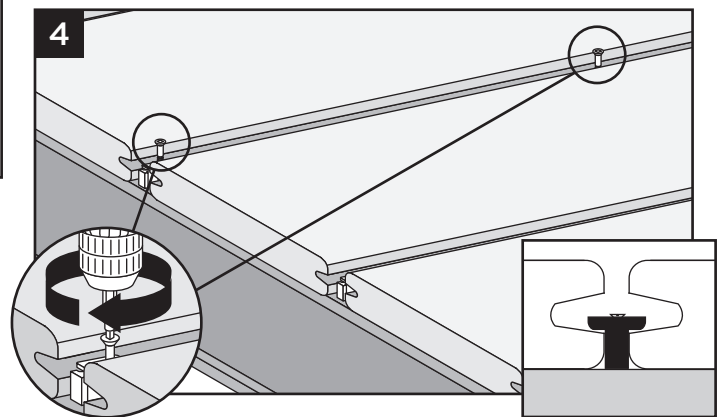
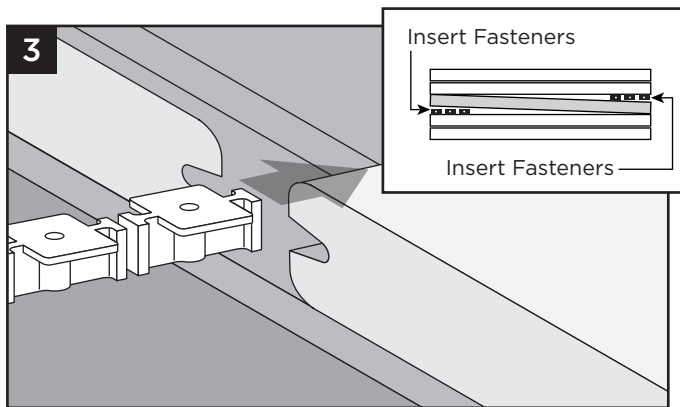
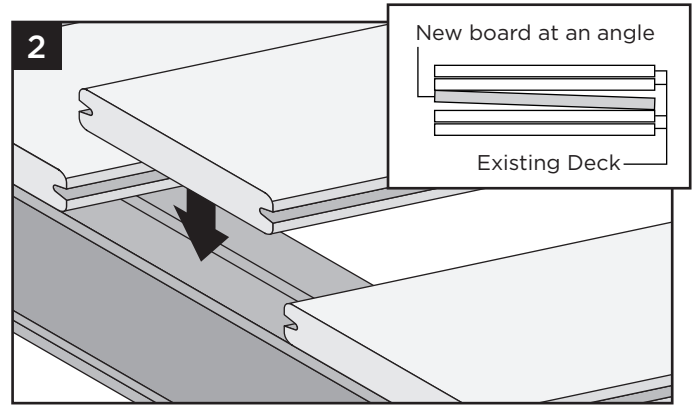
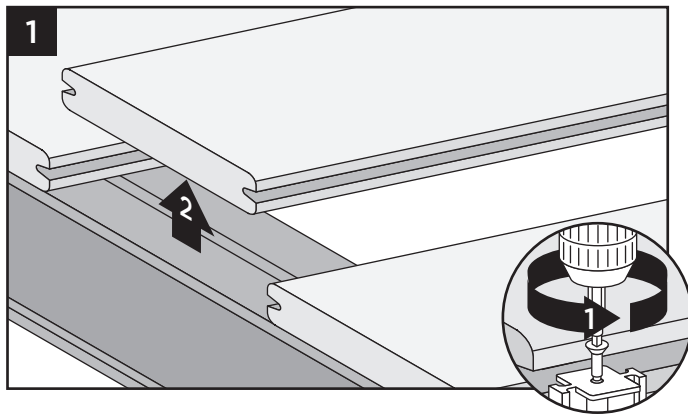


Rout one side of square-edge board to use with hidden fasteners.



**NOTE:** Fascia wider than 184 mm will require more detailed fastener requirements. Fascia boards are not allowed to carry loads from decking. Contact a Trex representative for more detail.

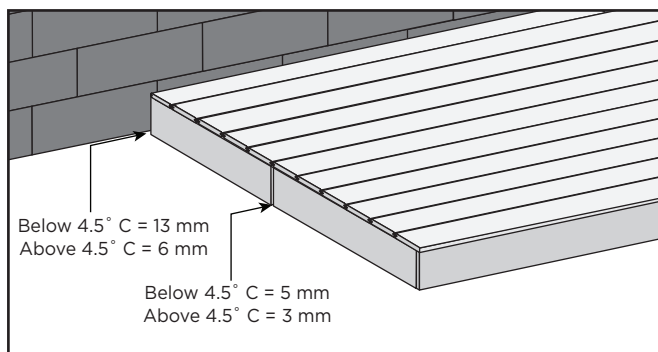
# REPLACING TREX BOARDS INSTALLED WITH TREX HIDEAWAY UNIVERSAL FASTENERS



## INSTALLING TREX FASCIA AND GAPPING

Trex Fascia, utilized around the perimeter of a deck, must be gapped with the same requirements as Trex decking to allow for air flow and expansion/contraction of the fascia.

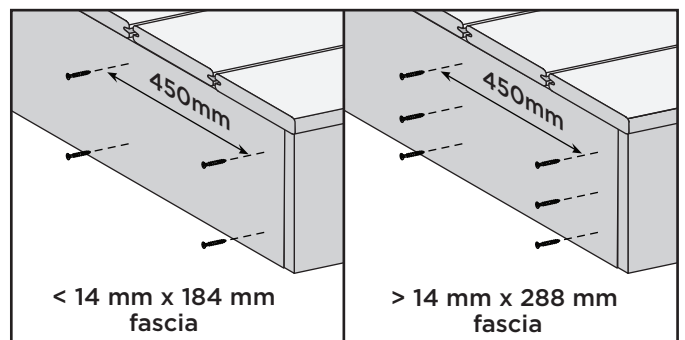
The fascia gapping requirements are as follows:



### When Using Approved Fascia Fasteners:

**NOTE:** The fasteners listed below can only be used with 14 mm x 184 mm or 14 mm x 288 mm fascia product, and cannot be used with decking product that is being used as fascia trim or stair risers.

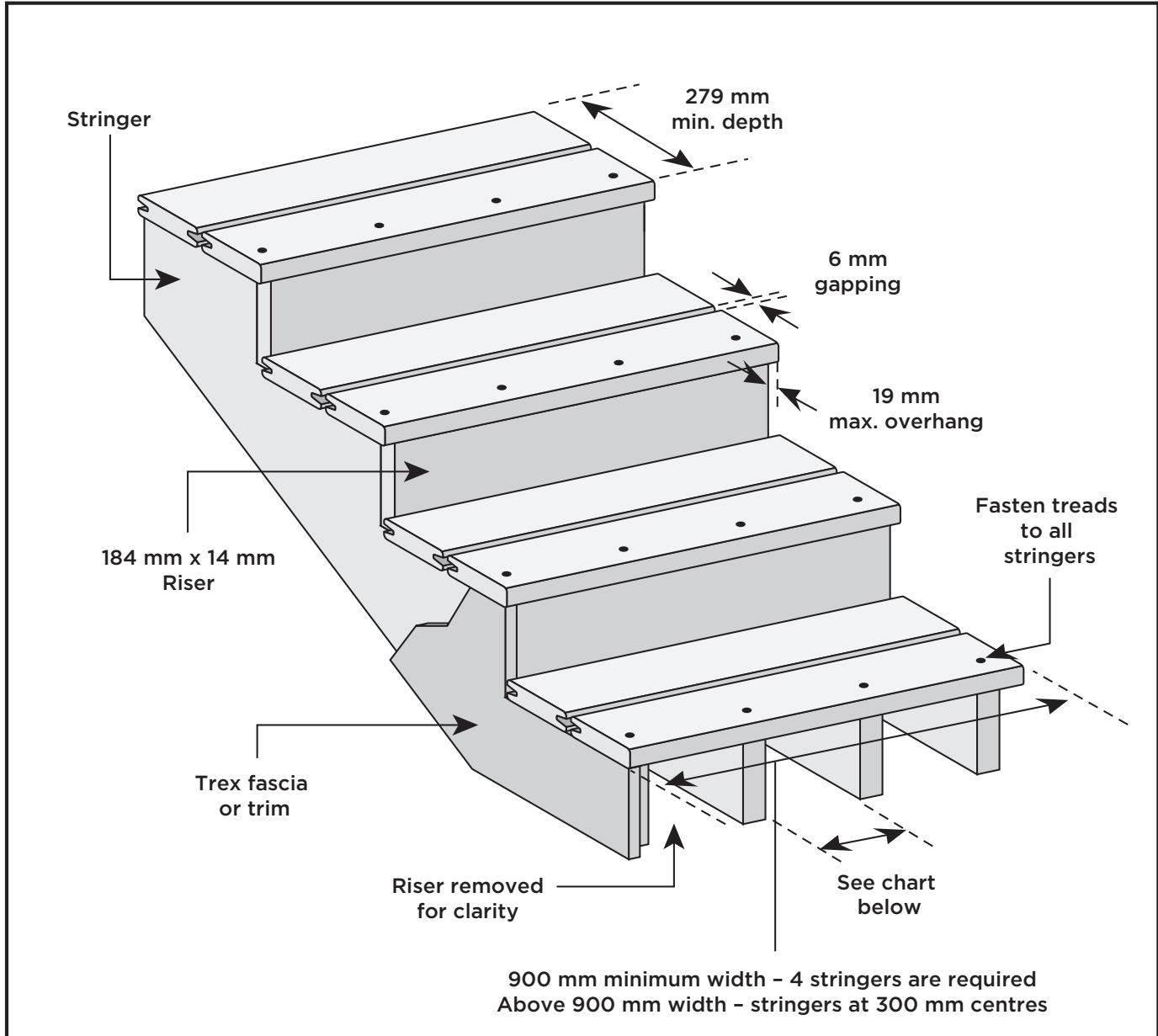
Trex recommends the use of Starborn® Deckfast® Fascia System or SplitStop™ Fascia Screws.





# SPANNING REQUIREMENTS FOR TREX STAIRS

**NOTE:** Shown with wood framing.

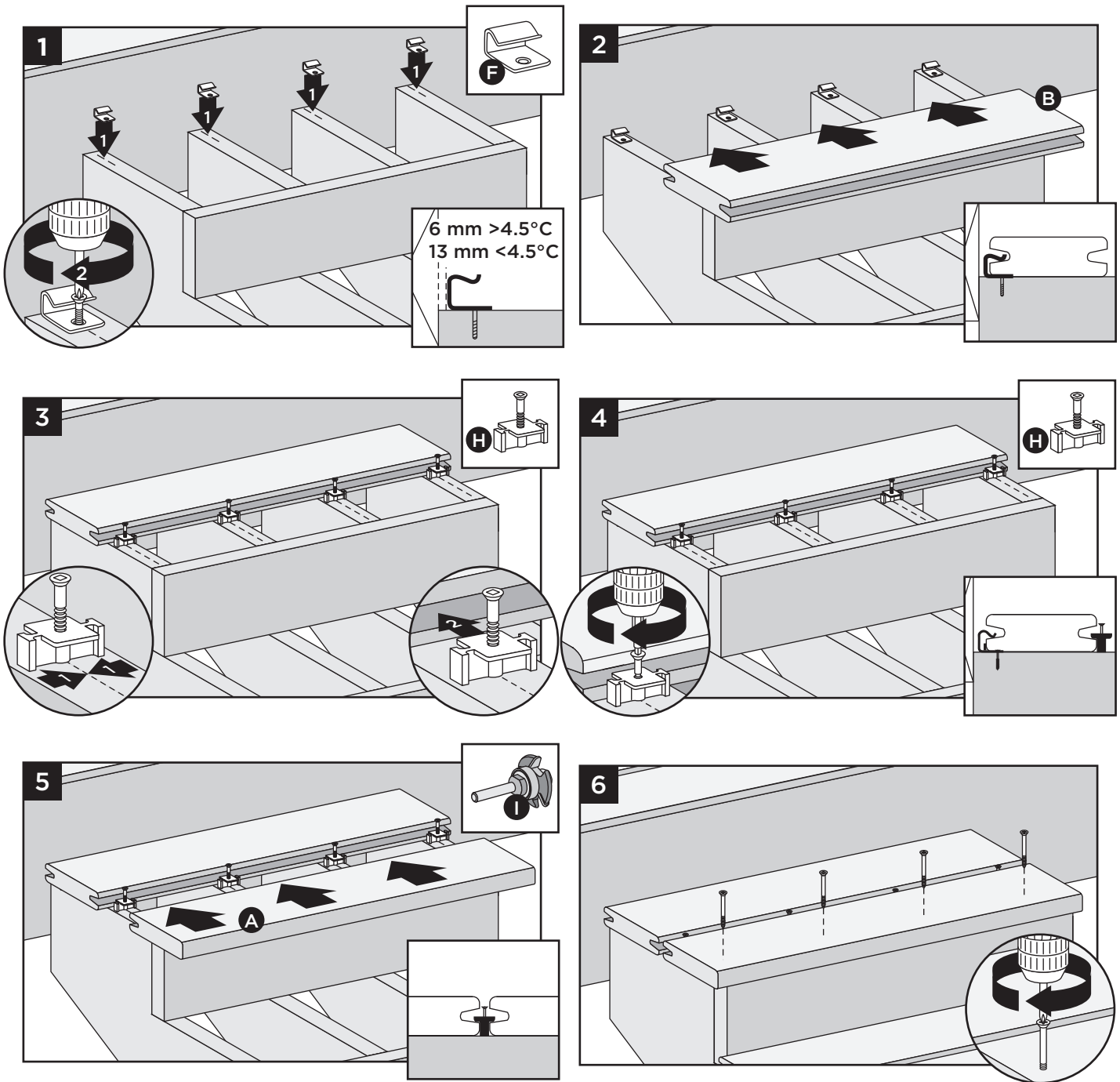


## MAXIMUM SPACING OF STAIR JOISTS (Centre-to-Centre)

For approved AU spans, refer to <https://au.trex.com/trex-owners/downloads/> and view detailed span tables provided by SOTO Engineering located under Evaluation Service Reports.

# INSTALLING TREX STAIR TREADS INSTALLED WITH TREX HIDEAWAY HIDDEN FASTENING SYSTEMS

**NOTE:** Use square-edge, composite decking boards and manually rout these on required sides to allow for use with hidden fasteners.



Rout one side of board (A).





BACK  
decking: Transcend in Island Mist  
—  
FRONT  
decking: Transcend in Tiki Torch and Lava Rock

DECKING | RAILING | LIGHTING | FASCIA | KITCHENS | FURNITURE | DRAINAGE



The World's #1 Decking Brand

FIND US ON



Visit [au.trex.com](http://au.trex.com)



© 2022 Trex Company, Inc. All rights reserved. Trex®, the Trex logo, Trex Transcend®, Trex Signature®, Trex Hideaway®, Trex® Outdoor Lighting™, Trex Blade™, TrexPro® and Trex® Protect™ are either federally registered trademarks, trademarks or trade dress of Trex Company, Inc., Winchester, Virginia or its licensees.